



Product name: UC-PT423-IS Series Vehicle Mounted PTZ Camera

Order Number: UC-PT423-IS

Application:

It can be widely used in police car mobile law enforcement, public security emergency command, traffic police patrol car, fire emergency command, 120 first aid command system, road administration mobile patrol, urban management mobile law enforcement, special vehicles Mobile command observation, mobile communication command vehicle, but also suitable for maritime supervision and other fields.

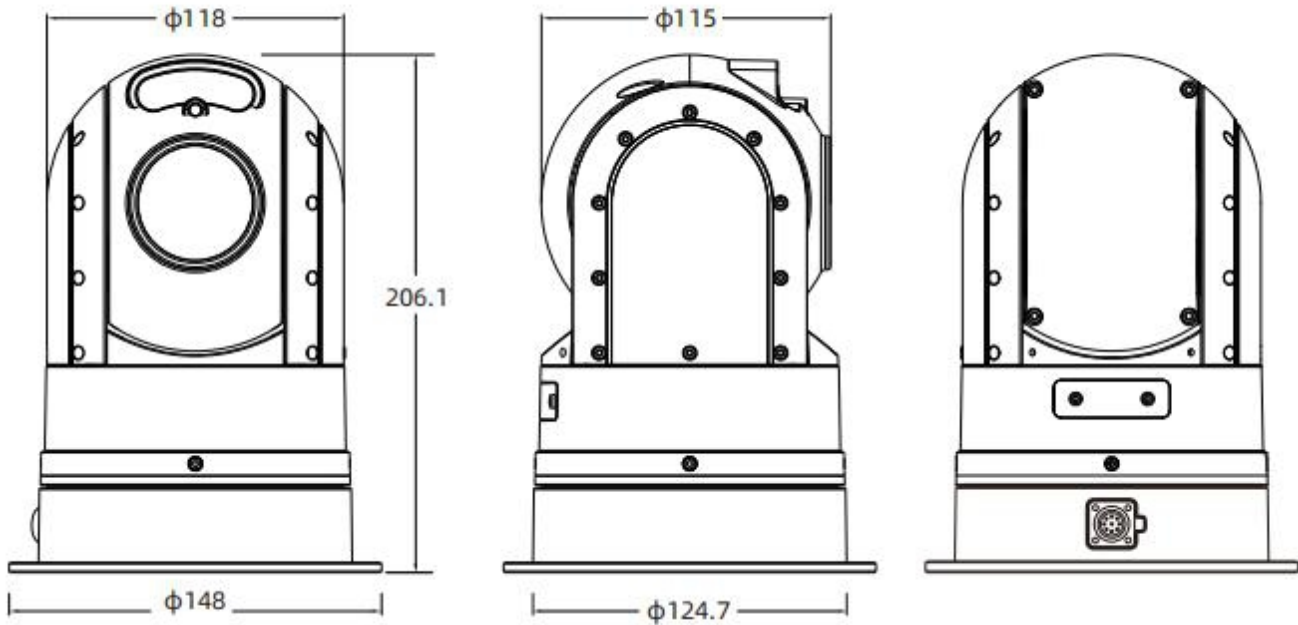
Features Description:

- Integrated structure, small size and lightweight design, weight of individual PTZ is **less than 2.5KG**
- Built in **2 megapixel(resolution up to 1080P) 30x optical zoom** module
- Zoom module with **anti-shake** function
- **360 degree** continuous rotation, support cruise, line scan, preset, park function and so on
- Support **3D positioning function**, can accurately locate and monitor the selected screen.
- Imported high-power infrared light, **night vision distance up to 150meters**
- PTZ support **network control**, also support **RS485** interface control
- **Shockproof design**, suitable for vehicle installation environment
- Vehicle mounting, **optional magnet suction cup mounting**
- Ultra-wide voltage design, input voltage range supports **9-36V**
- Equipped with DC-DC isolated wide voltage input power supply module, support input undervoltage protection, output short circuit, overvoltage protection, overcurrent protection
- **Standard version comes with network signal output**, support Hikvision / Dahua and other mainstream mobile DVRs.
- Support **AI function**, face capture recognition, human shape detection, human-vehicle license plate video structuring, etc. (optional)
- **AHD/TVI/CVI** analog HD format version can be selected (**SDI output** version can be customized separately)

Product Parameters:

Protocol		ONVIFprotocol, GB28181protocol, support Hikvision Dahua private protocol
Input		Built in 1CH video, 1CH audio
PTZ	Pan range	360° continuous rotation
	Tilt range	-30°-90°
	Rotation speed	pan control speed:100°/s, tilt control speed:60°/s
	Preset	255x
	Patrol	4x
	Line scan	support
	Park function	Support
	IR distance	150 meters
Camera	Sensor	1/2.8"High performance low illumination CMOS sensor (IMX327)
	Resolution	1080P (1920*1080 25/30 frames/sec)
	Optical zoom	30x
	Digital zoom	16x
	Focus lens	F = 4.7~141mm
	View angle	Wide:58.9°×45.3°Tele:2.11 °×1.61°
	Illumination	Condition: F1.6(W),50 IRE),0.05 lx(1/30s) IR-CUT on,0.005 lx(1/4s)IR-CUT off
	WDR	DWDR
	Day-night mode	ICR cut switch
Compression		H.264/H.265
Bit rate		32Kbps-16Mbps
Frame rate		1-25fps(50Hz) 1-30fps(60Hz)
Stream		Support dual stream, main stream (1080P; 960P: 720P), sub stream (D1; VGA; CIF)
Snap	Support resolution	D1/720P/1080P(default)
Audio	Audio input	optional
	Compression standard	G711
	Sampling Rate	16K, 32K, 64K, 128K
Standard accessories	Interface cable	standard
	Power supply	DC12.6V 3A
Protection grade		IP67
Working temperature		-40~60°
Working humidity	0~95% No condensation	
Working voltage	Ultra-wide voltage design 9~36V	
Dimension	Max Φ125*118*221mm	
Weight	Net weight 2.2kg	
Installation method	Vehicle mounted,optional magnetic suction cup	

Product Dimension (Unit:mm)



Product cable standard interface:

